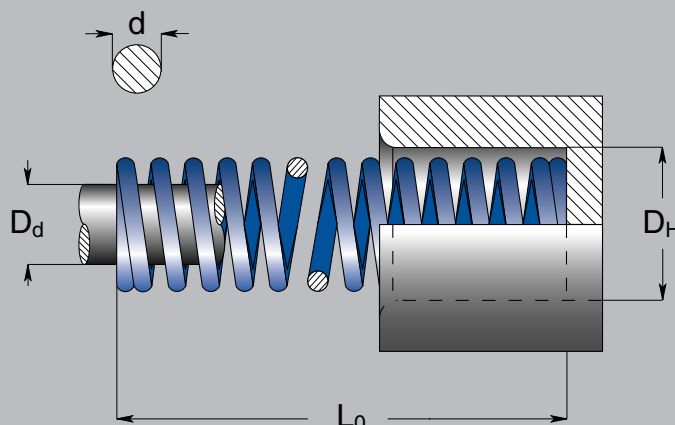


Molle carico medio
Medium load springs
Federn für mittlere belastung
Ressorts charge moyenne

Serie
Series
Serie
Série

TB



D _H	D _d	L ₀	N. di catalogo Catalogue No. Bestellnummer N° de catalogue	Rigidità Rate Rigidez Raideur	25%		30%		37,5%		D	
					3.000.000	1.500.000	Max. Defl.		Approx.			
mm	mm	mm		N / mm	mm	N	mm	N	mm	N	mm	N
10	5	25	TB 10 - 025	12.3	6.3	77	7.5	92	9.4	115	10.4	129
		32	TB 10 - 032	9.5	8.0	76	9.6	91	12.0	113	13.2	129
		38	TB 10 - 038	7.8	9.5	74	11.4	88	14.3	111	16.0	125
		44	TB 10 - 044	6.5	11.0	72	13.2	86	16.5	108	18.5	120
		51	TB 10 - 051	5.6	12.8	72	15.3	86	19.1	108	21.1	120
		64	TB 10 - 064	4.5	16.0	71	19.2	86	24.0	107	26.4	120
		76	TB 10 - 076	3.7	19.0	70	22.8	84	28.5	105	31.8	116
1.5	305	TB 10 - 305	0.9	76.3	68	91.5	82	114.4	102	128.5	116	
12.5	6.3	25	TB 13 - 025	21.7	6.3	136	7.5	163	9.4	204	11.2	240
		32	TB 13 - 032	16.8	8.0	134	9.6	161	12.0	202	14.0	236
		38	TB 13 - 038	13.8	9.5	131	11.4	158	14.3	197	17.3	240
		44	TB 13 - 044	11.6	11.0	127	13.2	153	16.5	191	19.8	227
		51	TB 13 - 051	10.0	12.8	127	15.3	153	19.1	191	22.9	231
		64	TB 13 - 064	7.8	16.0	125	19.2	150	24.0	187	28.4	222
		76	TB 13 - 076	6.4	19.0	122	22.8	146	28.5	183	34.3	218
1.8	89	TB 13 - 089	5.6	22.3	125	26.7	150	33.4	188	41.4	231	
305	TB 13 - 305	1.5	76.3	118	91.5	141	114.4	176	139.4	214		
16	8	25	TB 16 - 025	31.9	6.3	199	7.5	239	9.4	299	10.9	347
		32	TB 16 - 032	24.0	8.0	192	9.6	230	12.0	288	13.7	329
		38	TB 16 - 038	19.4	9.5	185	11.4	222	14.3	277	16.5	320
		44	TB 16 - 044	16.1	11.0	177	13.2	213	16.5	266	19.3	311
		51	TB 16 - 051	13.8	12.8	176	15.3	212	19.1	265	22.1	307
		64	TB 16 - 064	10.7	16.0	171	19.2	205	24.0	256	27.4	294
		76	TB 16 - 076	8.8	19.0	166	22.8	200	28.5	250	33.0	289
2.2	89	TB 16 - 089	7.5	22.3	167	26.7	200	33.4	250	38.6	289	
102	TB 16 - 102	6.5	25.5	167	30.6	200	38.3	250	44.5	289		
305	TB 16 - 305	2.1	76.3	159	91.5	191	114.4	238	133.6	280		

Note: 1 N = 0,102 Kg (force)

