

Creating a system with ELEMENT and 869x

The screenshot shows the Bürkert Fluid Control Systems documentation portal in Microsoft Internet Explorer. The browser address bar shows the URL: <http://buerkert.partcommunity.com/PARTcommunity/index.jsf?pageid=64888>. The page title is "Bürkert Fluid Control Systems - The Documentation Portal - V1.9.9 - Microsoft Internet Explorer".

The main content area is titled "Katalog" and displays a list of products on the left. The central panel shows the configuration for a valve and positioner. The "Variablen" section lists the following parameters:

- 2300-ISO-DN32-SA45-070-0-8694
- DN (Nennweite): 32
- D (Leitungsanschluss DSxWS): 42,4x2,0
- LTA (Leitungsanschluss): SA45
- ANTG (Antriebsgröße): 070
- WW (Wirkungsweise): 0
- KV (KV-Wert Wasser): 22
- ANTYV (Vorbereitet für Ansteuerung Typ ...): 8694

The "ANTYV" parameter is highlighted with a red box. Below it, there is a dropdown menu showing "8694" and an "Übernehmen" button.

The right panel shows a 3D preview of the valve and positioner assembly. Below the preview, there is a section titled "Generierte CAD MODELLE" with a list of generated models. The first model is "2300-ISO-DN32-SA45-070-0-8694". Below the model name, there are buttons for "Zum Download" and "Löschen". At the bottom of the list, there is an "Alle löschen" button.

Download valve and positioner from PARTserver

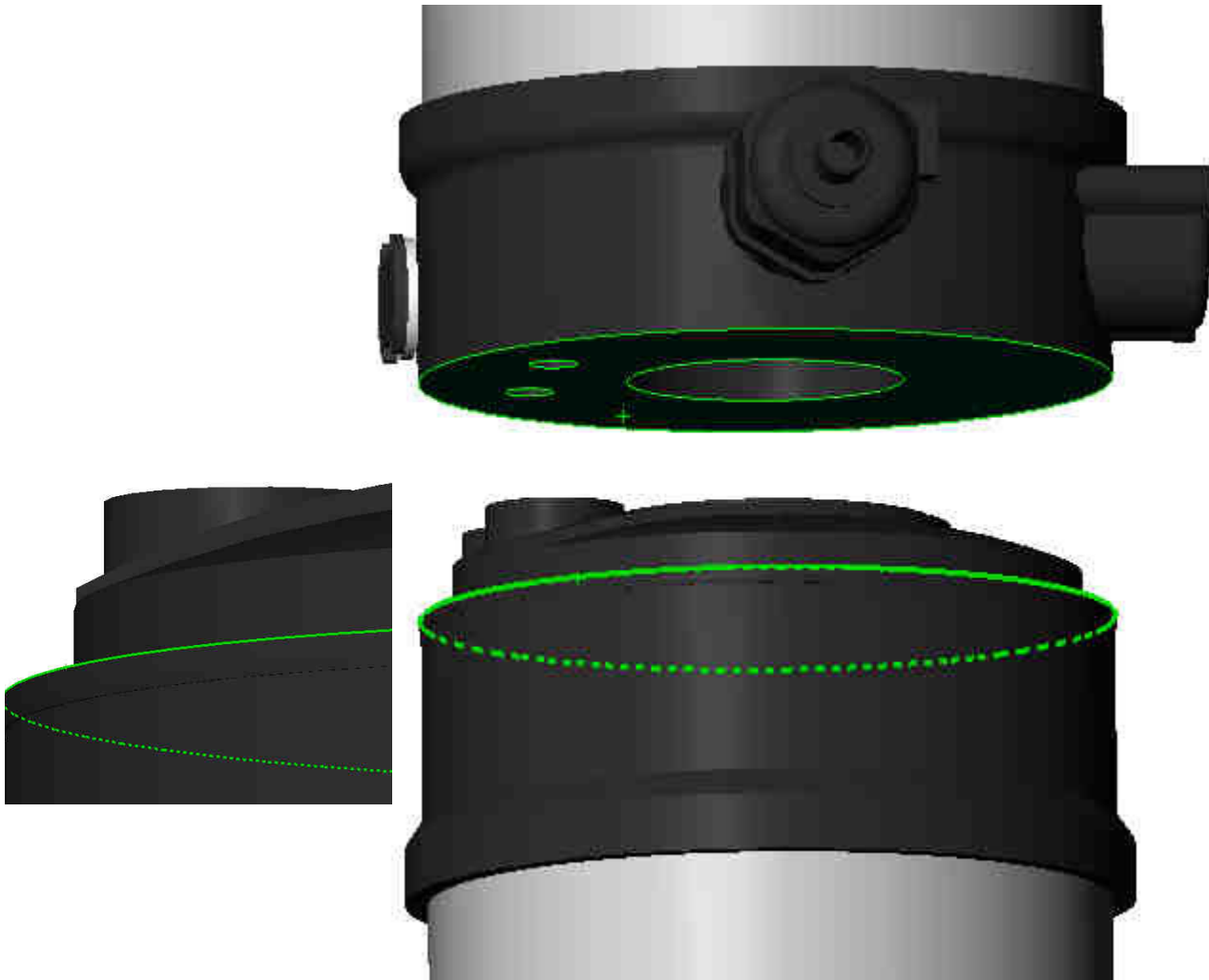
1. Save valve and positioner in an assembly at your CAD system and align them concentric to each other



2. combine concentric



3. combine congruent



4. READY!

